

Measured Load Conditions

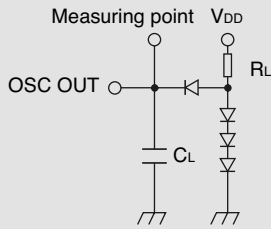


Figure 1
Load corresponding to TTL output

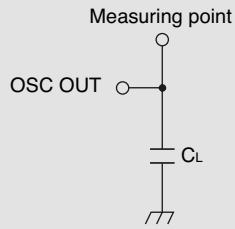


Figure 2
Load corresponding to C-MOS output

1TTL = 5LSTTL

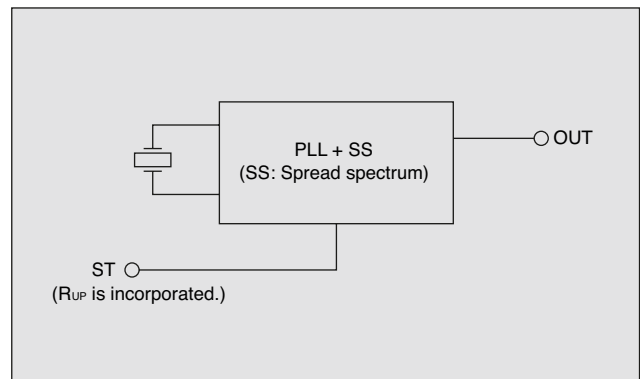
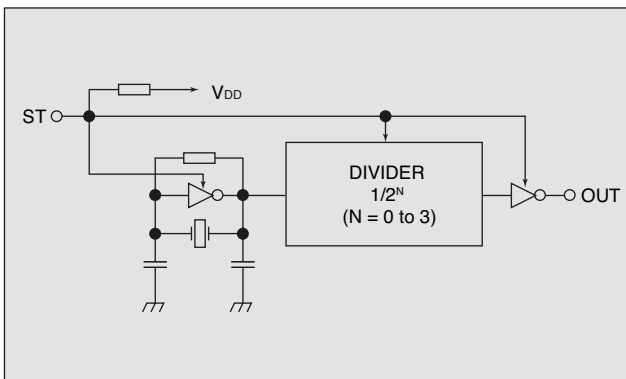
TTL	C_L	R_L
1	15 pF	4 k Ω
2	15 pF	2 k Ω
5	15 pF	800 Ω
10	15 pF	400 Ω

Note: C_L includes the capacitance of the measurement system.

Circuit Diagrams

Examples of a crystal oscillator circuit diagram

(i) 2725T/2725Q/2725Z/NZ2520SB/NZ2520SD/NF2520SF/NZ2016SA (iii) 2765E



(ii) 2775Y/2775W/2785V/2795Y/2795W/2795V

