

ADAME TECH



MODULAR
& MAGNETIC JACKS

Adam Tech's MTJ Series is a complete line of PCB Modular Jacks, which are UL and CSA approved and meet all required FCC rules and regulations. This product line is composed of Single, Dual, and Quad Port configurations available in a multitude of sizes (4P2C through 10P10C), with options for stacked, integrated magnetics, metal shielding, panel grounds, and LED's. Hybrid combinations with USB are also available.

Adam Tech's integrated magnetics (transformers) are designed to support Base 10, 100 and 1000-T applications such as hubs, routers, ADSL modems, and ATM transmission equipment. The integrated magnetics allows the design engineer to save PC board real-estate and lower the total part count per system. This series meets all applicable specifications for CAT 5, 5e, 6, and Cat6a, supporting speeds of up to 10GBs in performance. They are built to meet Category 5e, 6, or 6a performance according to TIA/EIA 568-C-2. These jacks support all Gigabyte and Ethernet Protocols.

Versions include metal shielding for EMI protection with ground peg location options, ground fingers, and LED's for link/activity indication and network speed verification. Adam Tech's magnetics configurations and schematics are highly customizable and interchangeable due to our in-house winding design and production. Feel free to inquire as to any specific schematic you require, which may not be included in this brochure.

In general, Adam Tech's Modular Jacks series is highly customizable with high flexibility in tooling new designs or making modifications for a specific style to accommodate applicational requirements.

FEATURES AND BENEFITS:

- Sizes ranging from 4P2C to 10P10C
- Single, Ganged, and Stacked jacks
- Integrated magnetics options
- Metal shielding options
- Variety of LED color options
- Panel ground available
- Hybrid MTJ/USB jacks
- Through hole and surface mount
- Speeds ranging from 1GB – 10GB, with higher speeds on the way

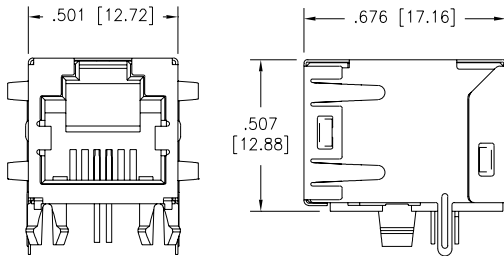
APPLICATIONS:

- Telecommunications
- Data networks
- Industrial automation
- Consumer electronics

Click product box to view product datasheet at adam-tech.com

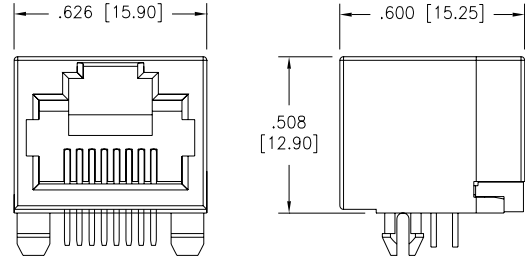
MTJ-62ATX1-FSD-PG4-HT

RJ25, 6P2C, Single Port, Right Angle, Tab Up, Full Shield, Panel Grounds, Through Hole, High Temp



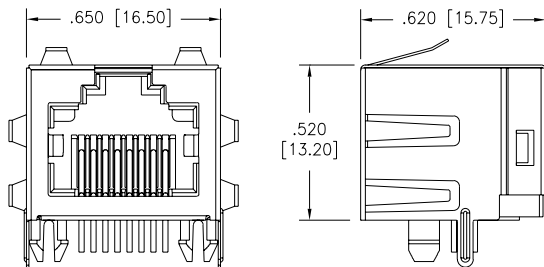
MTJ-88ARX1-106-Y-HT

RJ45, 8P8C, Single Port, Right Angle, Tab Up, Unshielded, Through Hole, High Temp



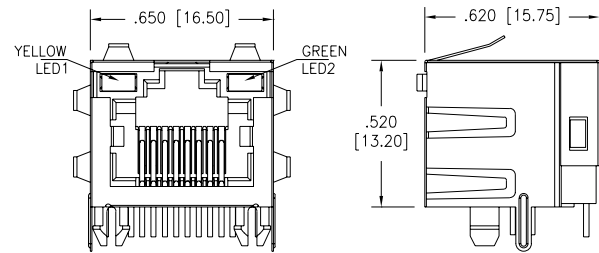
MTJ-88ARX1-FSM-PG-HT-D

RJ45, 8P8C, Single Port, Right Angle, Tab Up, Full Shield, Panel Grounds, Through Hole, High Temp



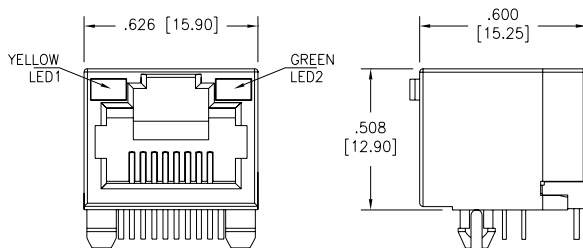
MTJ-88ARX1-FSW-PG-LG-Y

RJ45, 8P8C, Single Port, Right Angle, Tab Up, Full Shield, Panel Grounds, Through Hole, Yellow-Green LED's



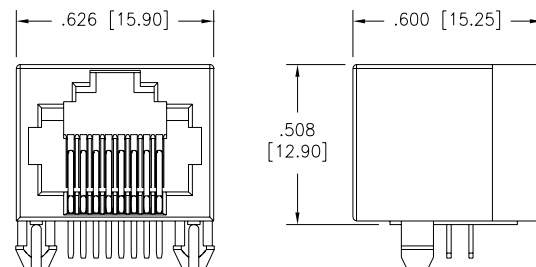
MTJ-88ARX1-LG-Y-HT

RJ45, 8P8C, Single Port, Right Angle, Tab Up, Unshielded, Through Hole, Yellow-Green LED's, High Temp



MTJ-88ARX1C-Y-A

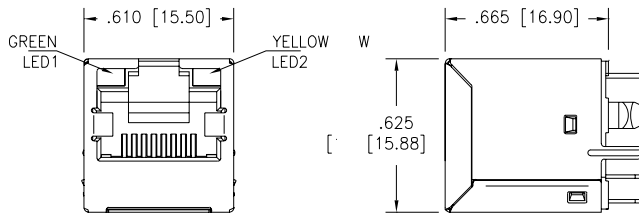
RJ45, 8P8C, Single Port, Right Angle, Tab Up, Unshielded, Through Hole



Click product box to view product datasheet at adam-tech.com

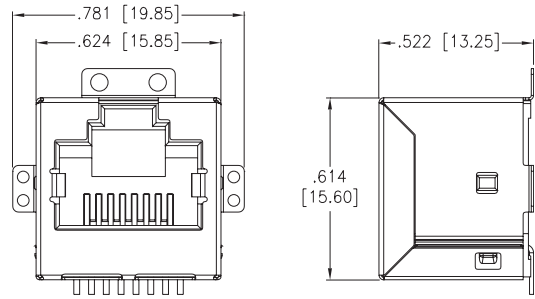
MTJ-88AX1-FSN-LH-HT-Y-B

RJ45, 8P8C, Single Port, Vertical, Tab-Up, Full Shield, Through Hole, Green-Yellow LED's, High Temp



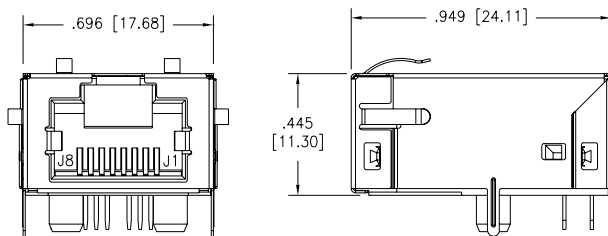
MTJ-88HX1-FS-Y-KT-TR

RJ45, 8P8C, Single Port, Vertical, Tab-Up, Full Shield, Surface Mount



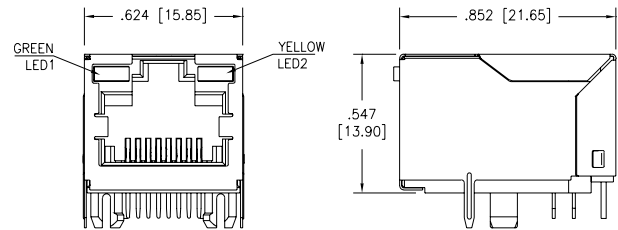
MTJ-88SUX1-FS-PG-HT-WOT-Y

RJ45, 8P8C, Single Port, Right Angle, Tab Up, Full Shield, Panel Grounds, Through Hole, Wide Operating Temperature



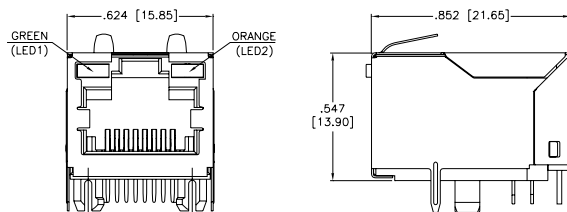
MTJ-88TUX1-FS2-LH-C5E-HT

RJ45, 8P8C, CAT 5e, Single Port, Right Angle, Tab Up, Full Shield, Through Hole, Green-Yellow LED's, High Temp



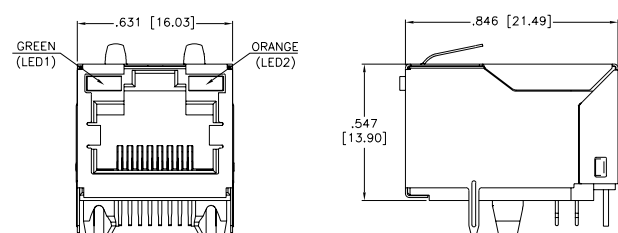
MTJ-88TUX1-FS2-PG2T-L5-C5E-HT

RJ45, 8P8C, CAT 5e, Single Port, Right Angle, Tab Up, Full Shield, Top Panel Grounds, Through Hole, Green-Orange LED's, High Temp



MTJ-88TUX1-FS2-PG2T-L19-C6A-HT

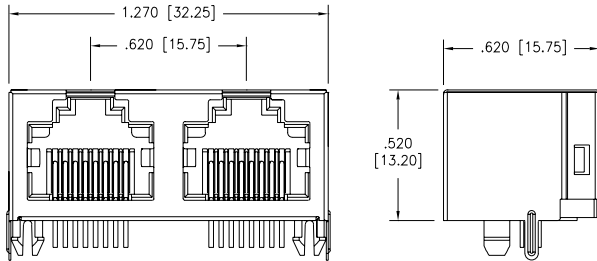
RJ45, 8P8C, CAT 6A, Single Port, Right Angle, Tab Up, Full Shield, Top Panel Grounds, Through Hole, Green-Orange LED's, High Temp



Click product box to view product datasheet at adam-tech.com

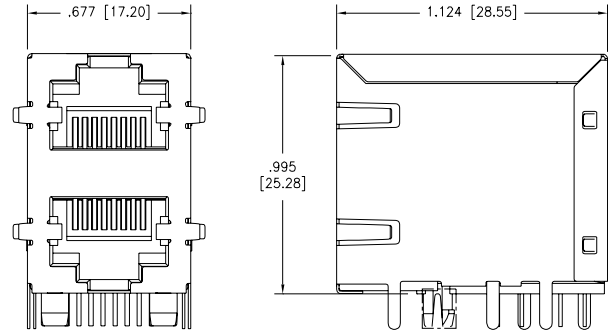
MTJG-2-88ARX1-FSW-EMI-Y-HT-HF

RJ45, 8P8C, 2 Port Ganged, Right Angle, Tab Up, Full Shield, Through Hole, High Temp



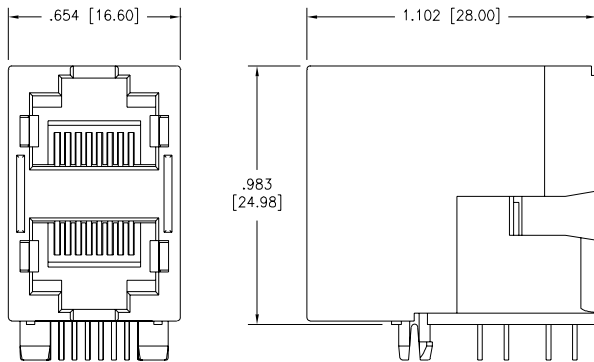
MTJG-2-88JX1-FSG-PG-Y

RJ45, 8P8C, 2 Port Stacked, Right Angle, Tab Up & Down, Full Shield, Side Panel Grounds, Through Hole



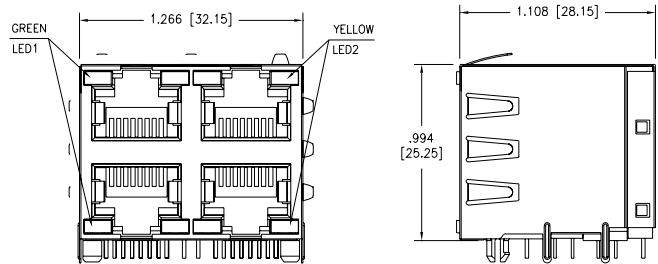
MTJG-2-88JX1-Y

RJ45, 8P8C, 2 Port Stacked, Right Angle, Tab Up & Down, Unshielded, Through Hole



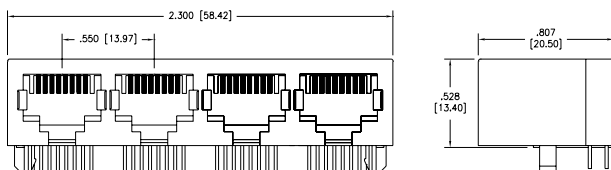
MTJG-4-88JX1-FSH-PG-LH-Y

RJ45, 8P8C, 4 Port Ganged & Stacked, Right Angle, Tab Up & Down, Full Shield, Panel Grounds, Through Hole, Green-Yellow LED's



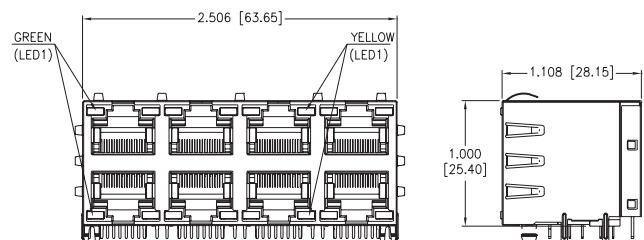
MTJG-4-88TX1-A

RJ45, 8P8C, 4 Port Ganged, Right Angle, Tab Down, Unshielded, Through Hole



MTJG-8-88JX1-FSH-PG-LH-Y

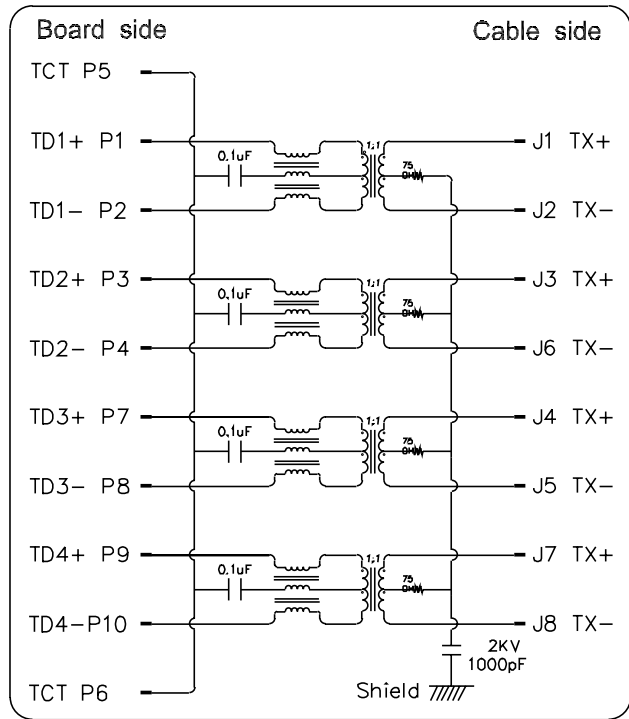
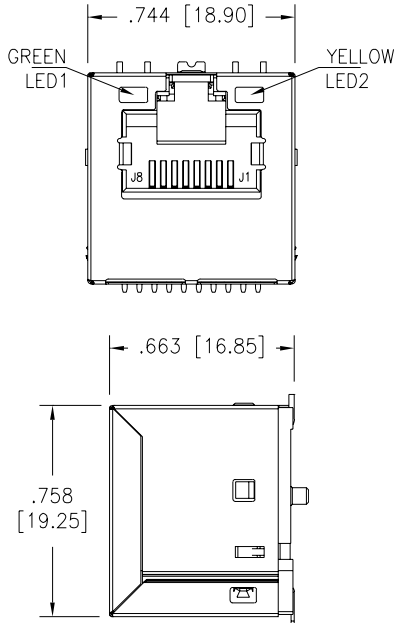
RJ45, 8P8C, 8 Port Ganged, Right Angle, Tab Up & Down, Full Shield, Panel Grounds, Through Hole, Green-Yellow LED's



Click product box to view product datasheet at adam-tech.com

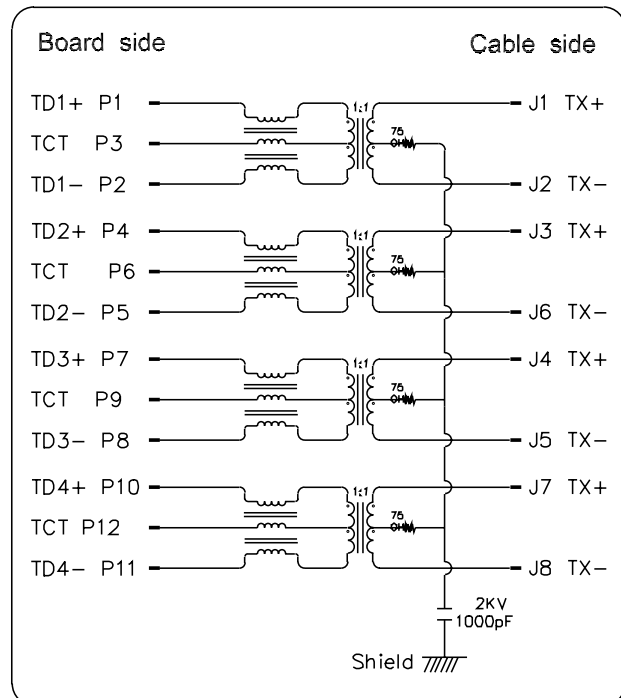
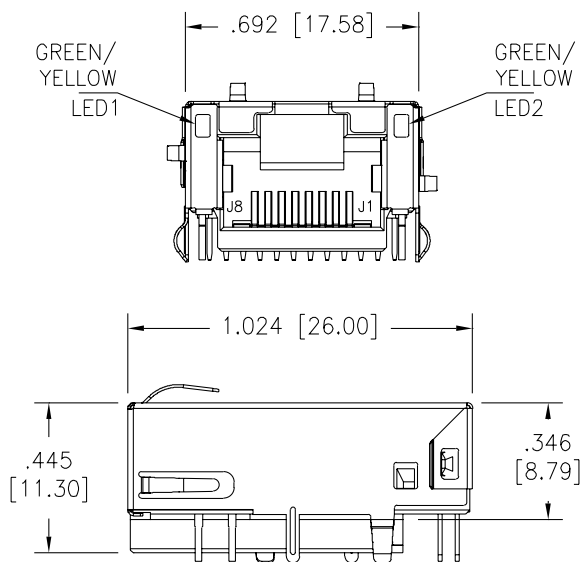
MTJ-88AX1-FS-TSMT-P-LH-M463Y-HT-WOT-KT

RJ45, 8P8C, 1G Base-T, Single Port, Vertical, Tab Up, Full Shield, True Surface Mount, Integral Magnetics, Green-Yellow LED's, High Temp, Wide Operating Temperature



MTJ-88BAX1-FS-PG-VL16-M329Y

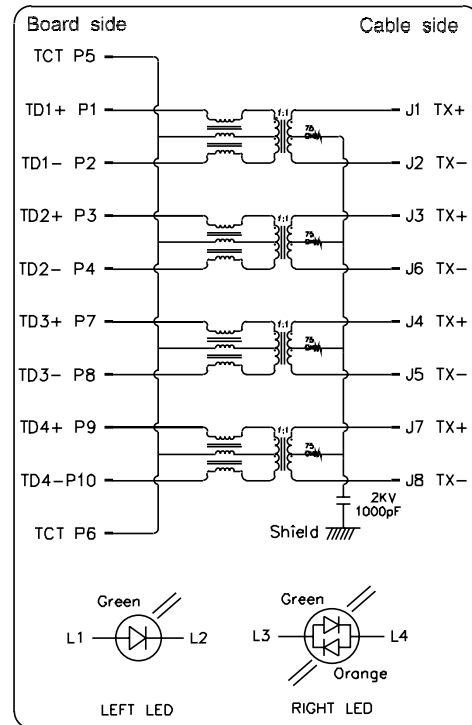
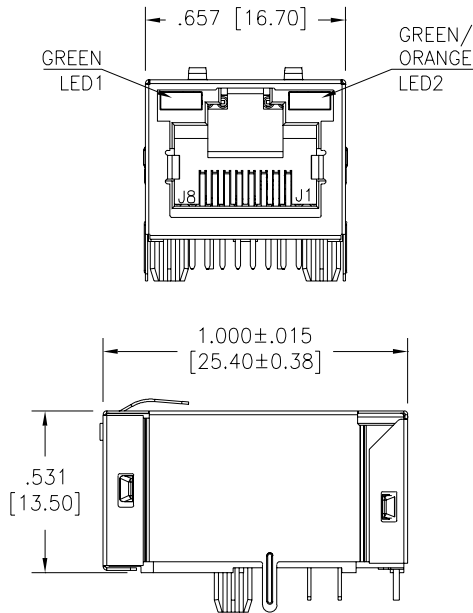
RJ45, 8P8C, 1G Base-T, Single Port, Right Angle, Tab Up, Full Shield, Panel Grounds, Through Hole, Integral Magnetics, Green/Yellow-Green/Yellow LED's



Click product box to view product datasheet at adam-tech.com

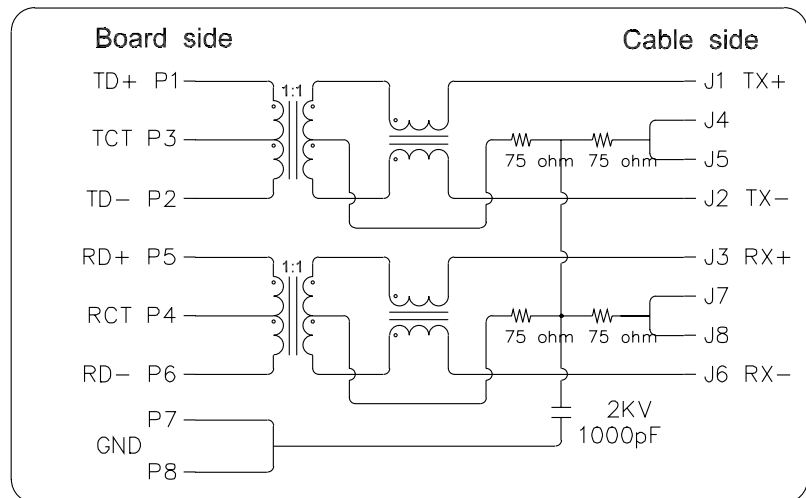
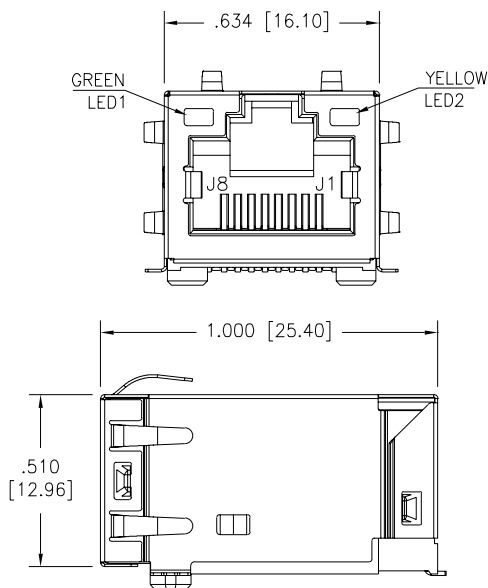
MTJ-88S11-PG-FSD-L36-M236Y-HT-WOT

RJ45, 8P8C, 1000 Base-T, Single Port, Right Angle, Tab Up, Full Shield, Panel Grounds, Through Hole, Integral Magnetics, Green-Green/Orange LED's, High Temp, Wide Operating Temperature



MTJ-88SX1-FS-PG-LH-M243BY-SMT-WOT-TR

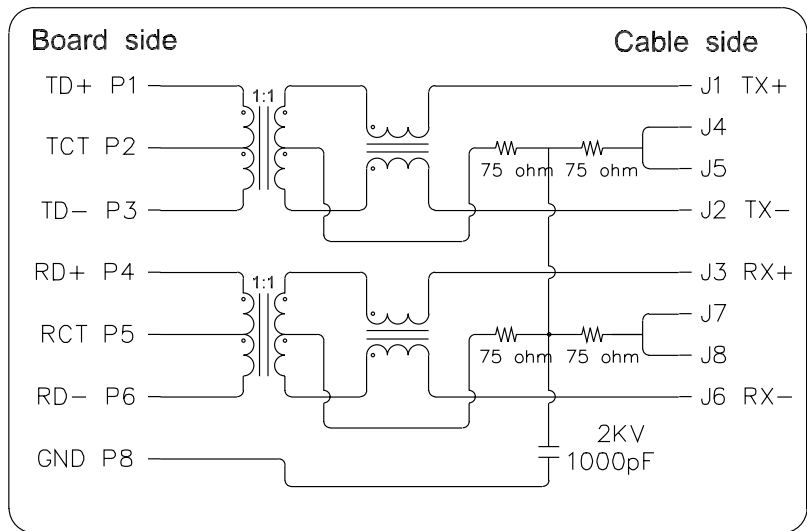
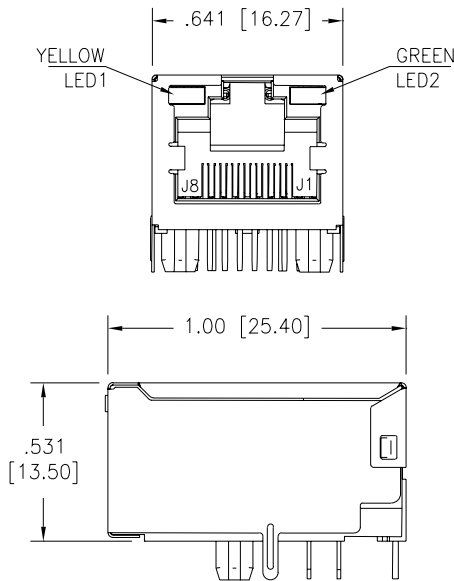
RJ45, 8P8C, 100 Base-T, Single Port, Right Angle, Tab Up, Full Shield, Panel Grounds, Surface Mount, Integral Magnetics, Green-Yellow LED's, Wide Operating Temperature



Click product box to view product datasheet at adam-tech.com

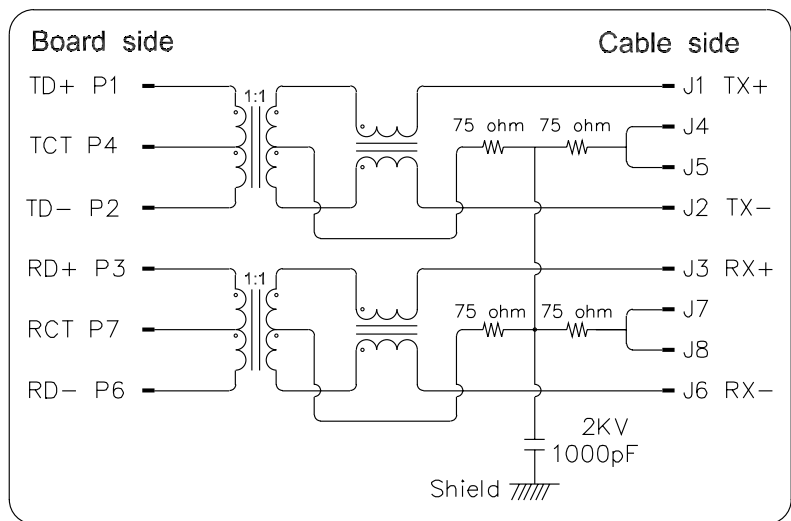
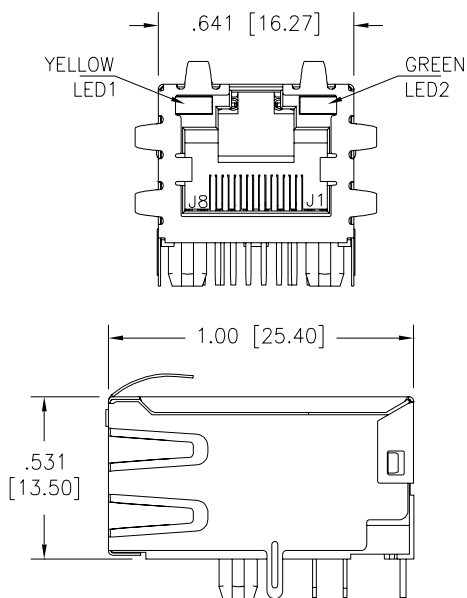
MTJ-88SX1-FSD-LG-M5Y-HT

RJ45, 8P8C, 10/100 Base-T, Single Port, Right Angle, Tab Up, Full Shield, Through Hole, Integral Magnetics, Yellow-Green LED's, High Temp



MTJ-88SX1-FSD-PG-LG-M14Y

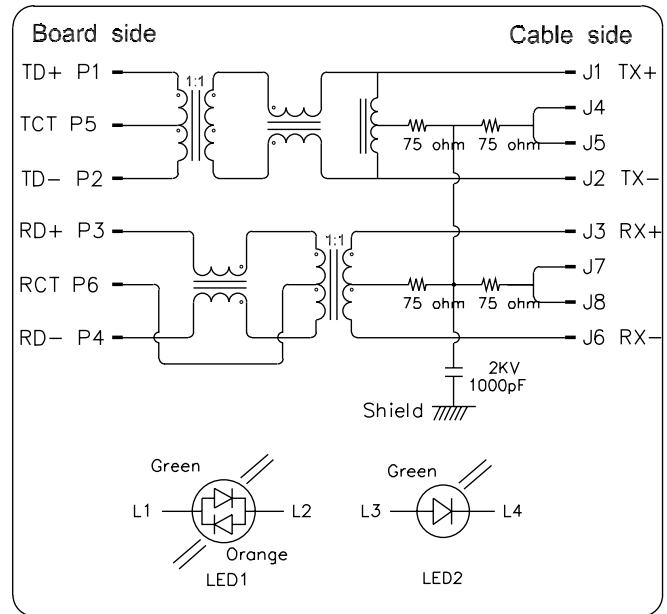
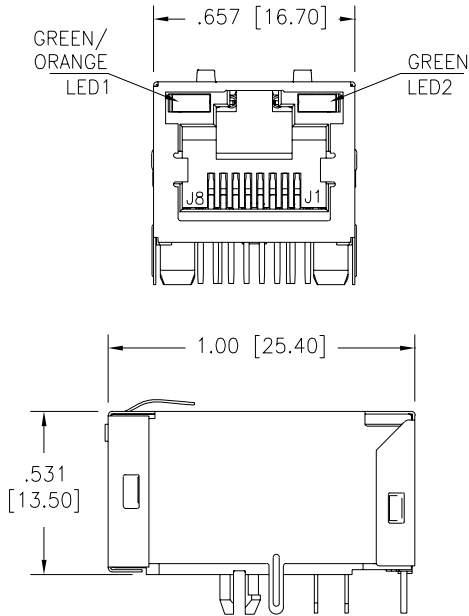
RJ45, 8P8C, 10/100 Base-T, Single Port, Right Angle, Tab Up, Full Shield, Through Hole, Integral Magnetics, Yellow-Green LED's



Click product box to view product datasheet at adam-tech.com

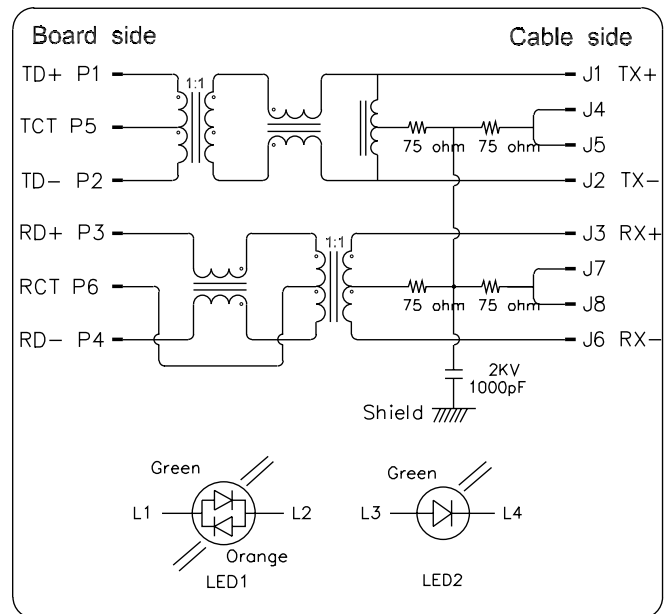
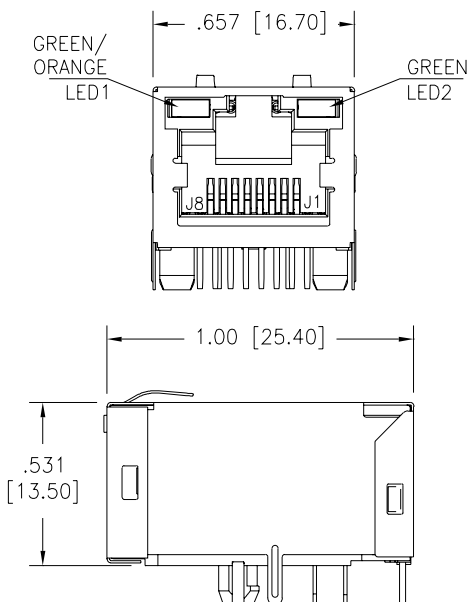
MTJ-88SX1-FSD-PG2-L37-M346Y

RJ45, 8P8C, 10/100 Base-T, Single Port, Right Angle, Tab Up, Full Shield, Top Panel Grounds, Through Hole, Integral Magnetics, Green/Orange-Green LED's



MTJ-88SX1-FSD-PG2-L37-M346YA

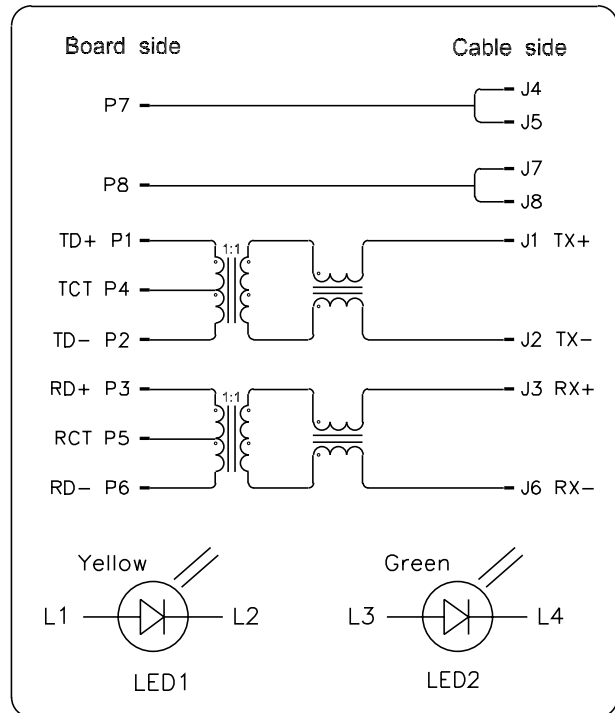
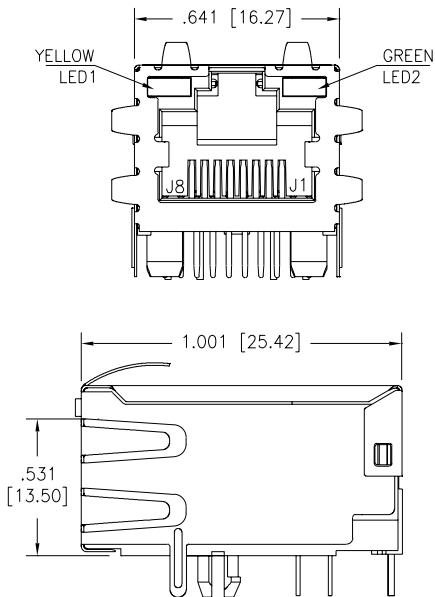
RJ45, 8P8C, 10/100 Base-T, Single Port, Right Angle, Tab Up, Full Shield, Top Panel Grounds, Through Hole, Integral Magnetics, Green/Orange-Green LED's, Surge Protection



Click product box to view product datasheet at adam-tech.com

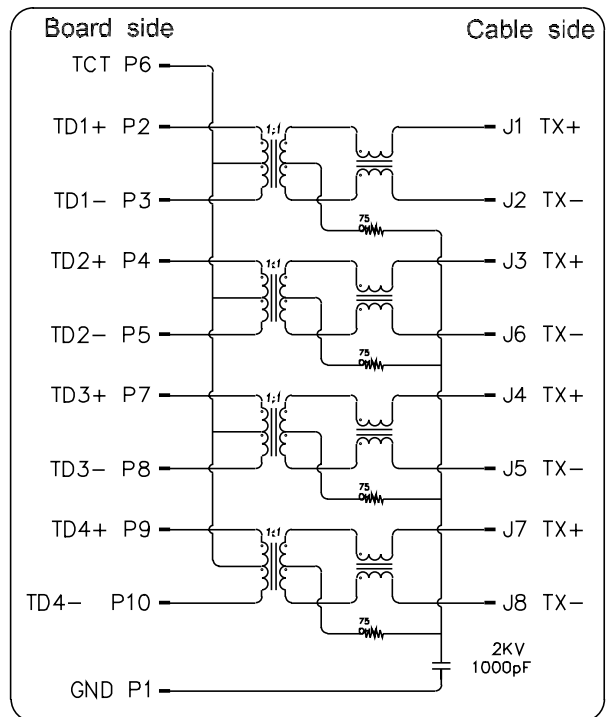
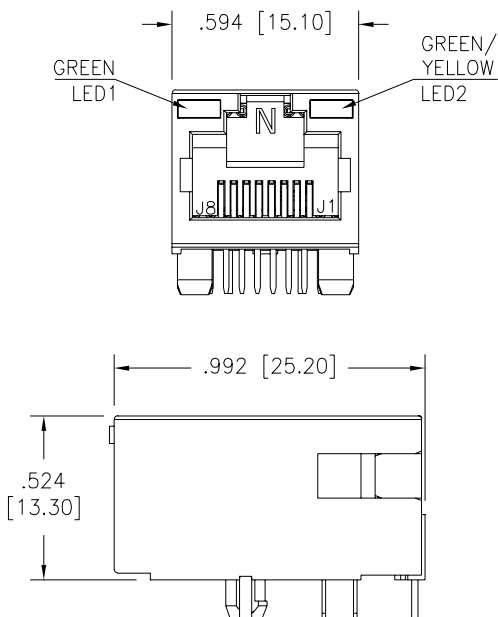
MTJ-88SX1-FSP-PG-LG-M3Y

RJ45, 8P8C, 10/100 Base-T, Single Port, Right Angle, Tab Up, Full Shield, Panel Grounds, Through Hole, Integral Magnetics, Yellow-Green LED's



MTJ-88SX1-L35-M397Y-HT

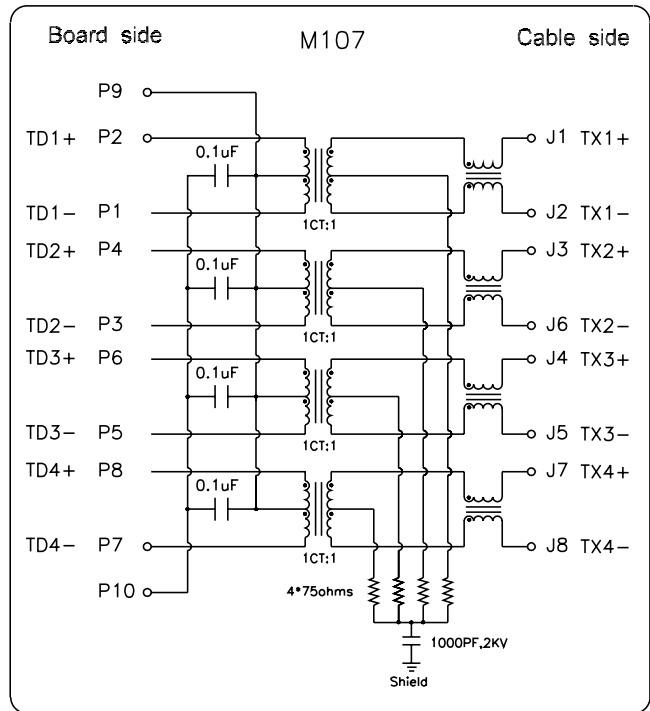
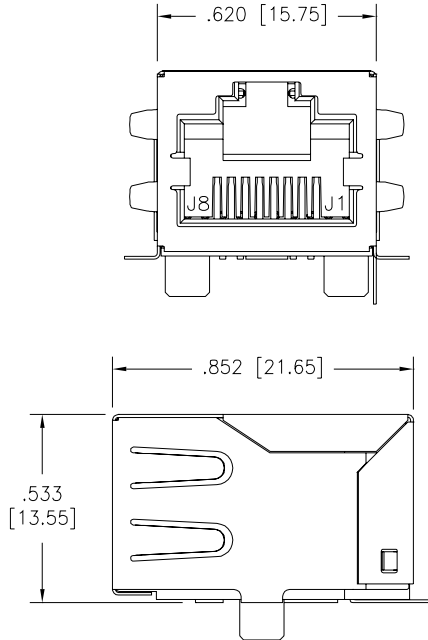
RJ45, 8P8C, 1G Base-T, Single Port, Right Angle, Tab Up, Unshielded, Through Hole, Integral Magnetics, Green-Green/ Yellow LED's, High Temp



Click product box to view product datasheet at adam-tech.com

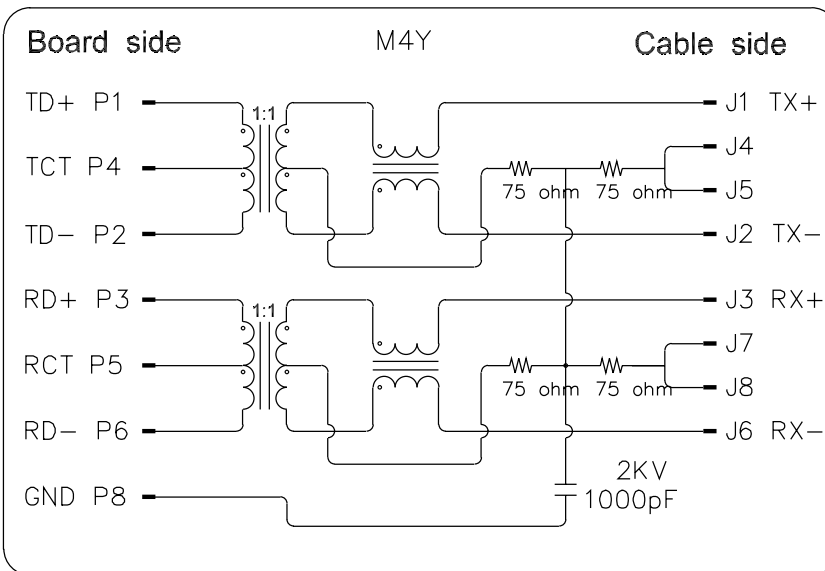
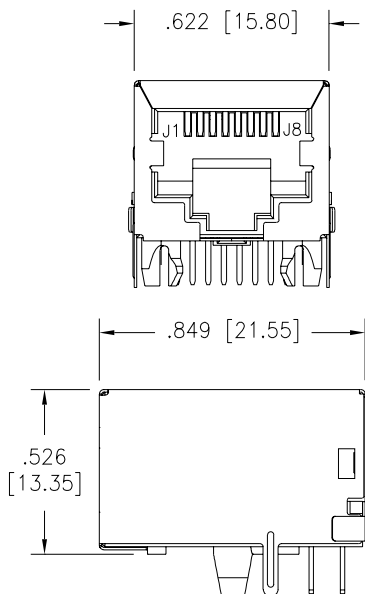
MTJ-88TUX1-FS-SMT-M107

RJ45, 8P8C, 1000 Base-T, Single Port, Right Angle, Tab Up, Full Shield, Panel Grounds, Surface Mount, Integral Magnetics



MTJ-88TUX1-FSD-M4Y

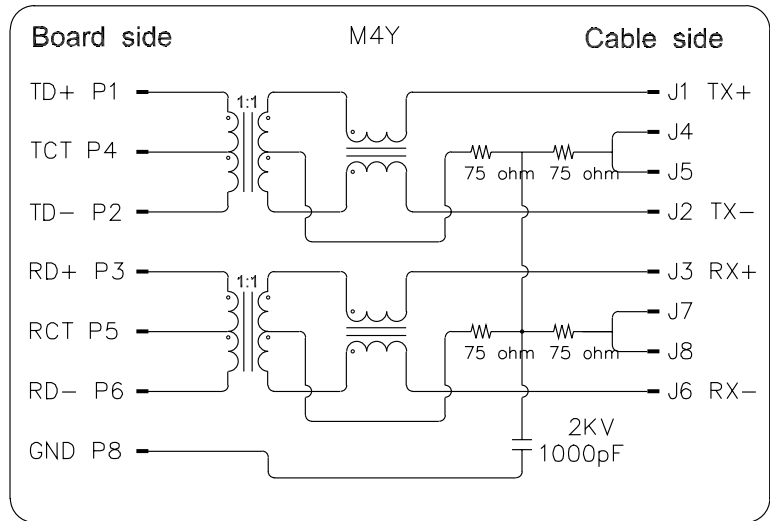
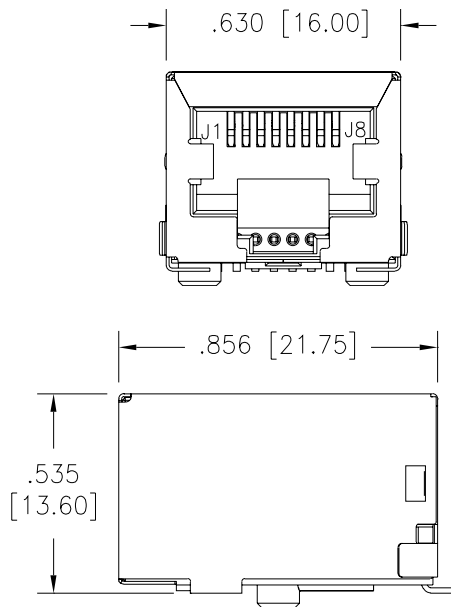
RJ45, 8P8C, 10/100 Base-T, Single Port, Right Angle, Tab Down, Full Shield, Through Hole, Integral Magnetics



Click product box to view product datasheet at adam-tech.com

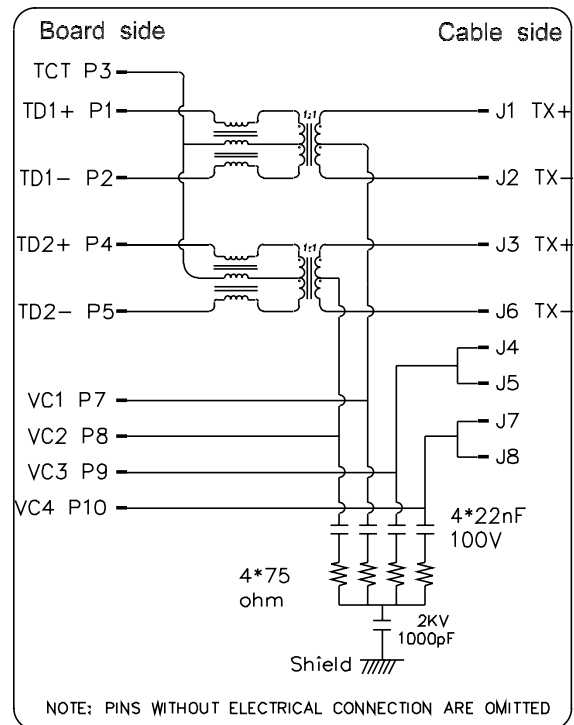
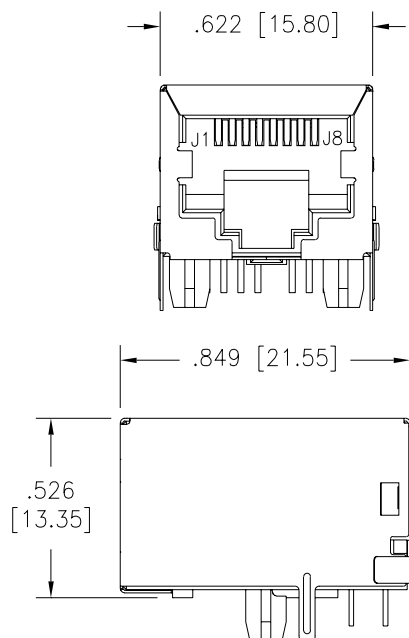
MTJ-88TX1-FS-M4Y-SMT

RJ45, 8P8C, 10/100 Base-T, Single Port, Right Angle, Tab Down, Full Shield, Surface Mount, Integral Magnetics



MTJ-88TX1-FSD-083-M171Y-A-X6

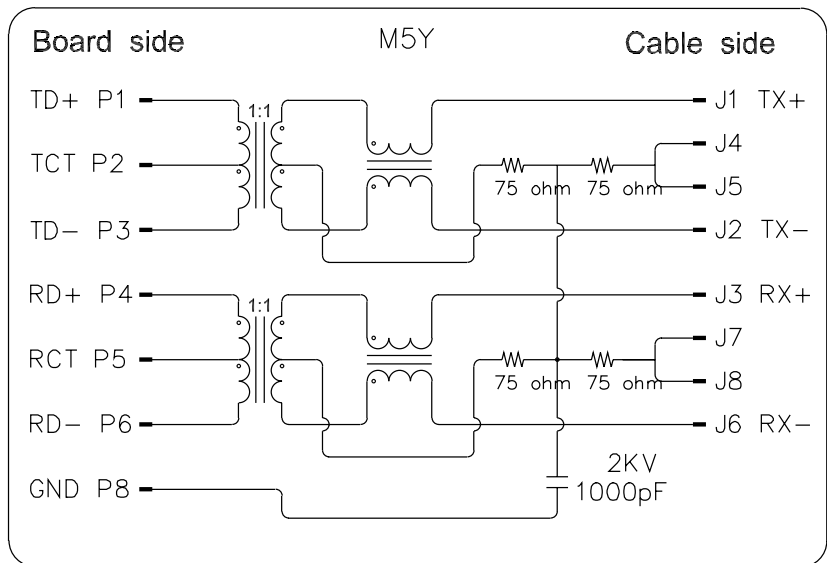
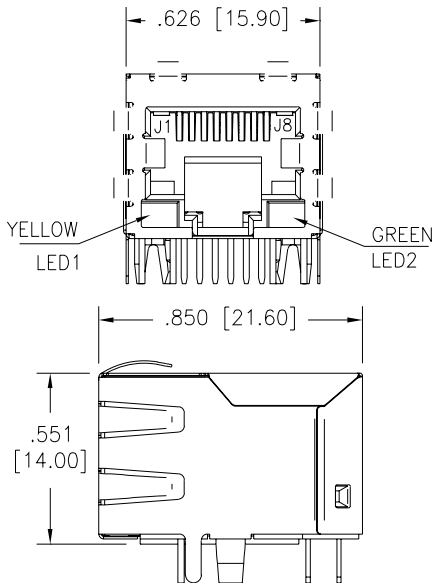
RJ45, 8P8C, 100 Base-T POE, Single Port, Right Angle, Tab Down, Full Shield, Through Hole, Integral Magnetics



Click product box to view product datasheet at adam-tech.com

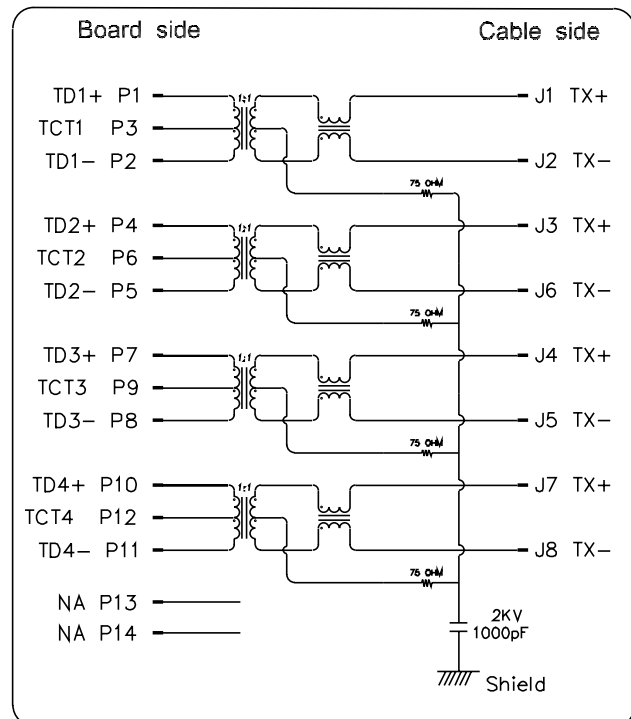
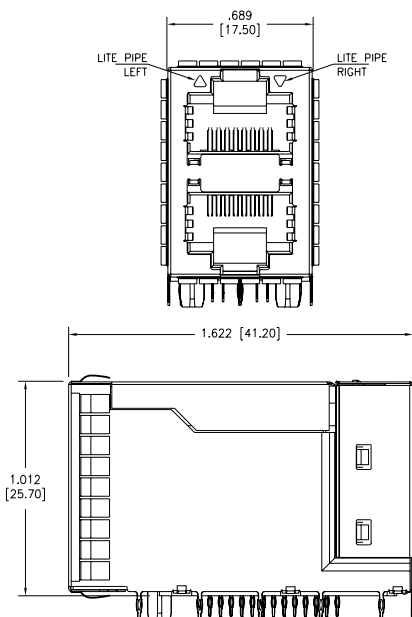
MTJ-88TX1-FSE-PG-LG-M5Y

RJ45, 8P8C, 10/100 Base-T, Single Port, Right Angle, Tab Down, Full Shield, Tab Up & Down, Panel Grounds, Through Hole, Integral Magnetics, Yellow- Green LED's



MTJG-2-88JX1-FS-PG-LTP-M464Y-WOT

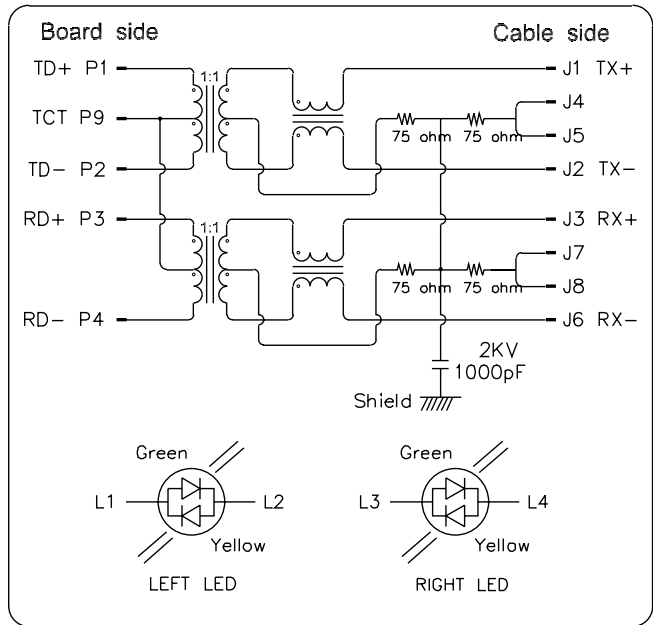
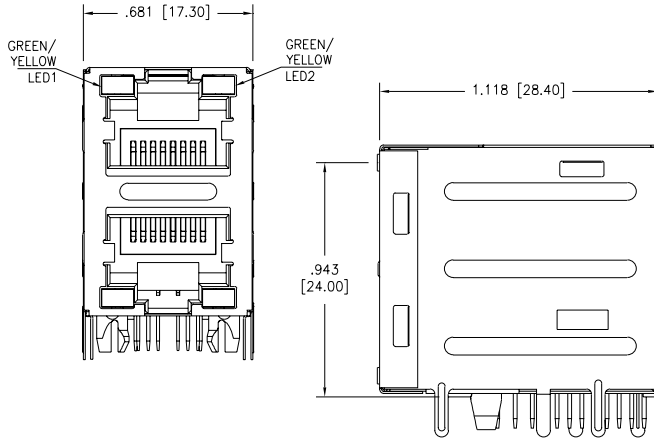
RJ45, 8P8C, 10G Base -T, 2 Port Stacked, Right Angle, Tab Up & Down, Full Shield, Through Hole, Integral Magnetics, Light Pipes, Wide Operating Temperature



Click product box to view product datasheet at adam-tech.com

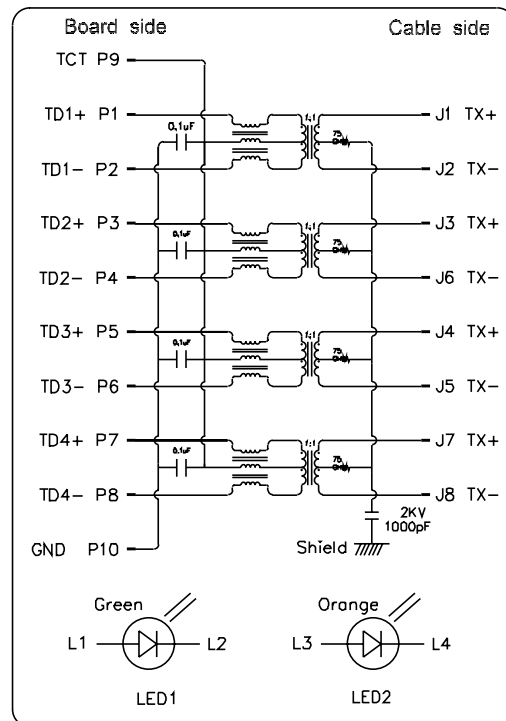
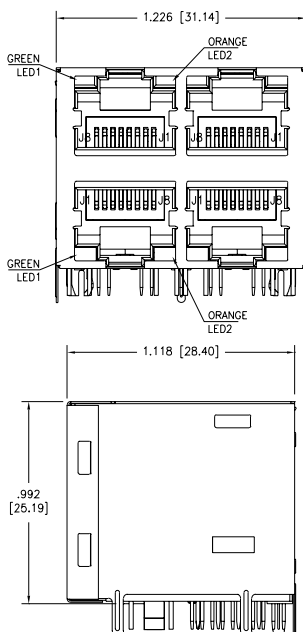
MTJG-2-88JX1-V-FSG-L16-M169Y

RJ45, 8P8C, 100 Base-T, 2 Port Stacked, Right Angle, Tab Up & Down, Full Shield, Through Hole, Integral Magnetics, Green/Yellow-Green/Yellow LED's



MTJG-4-88JX1-FSG-L5-M150Y-HT

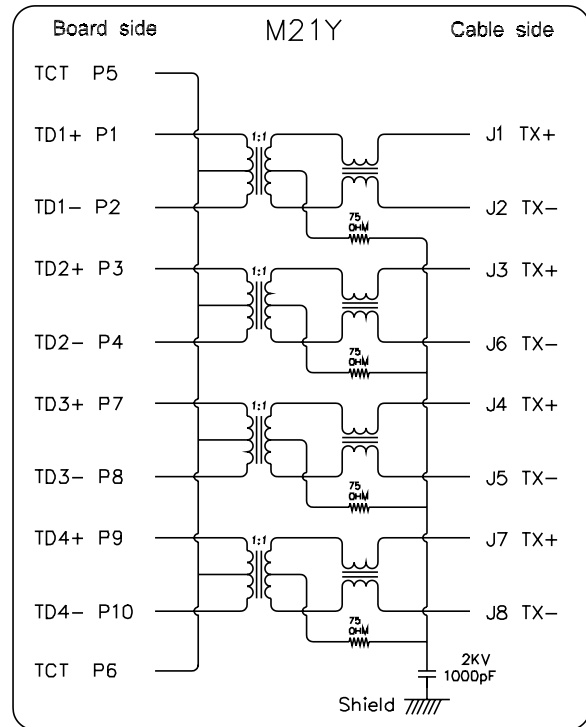
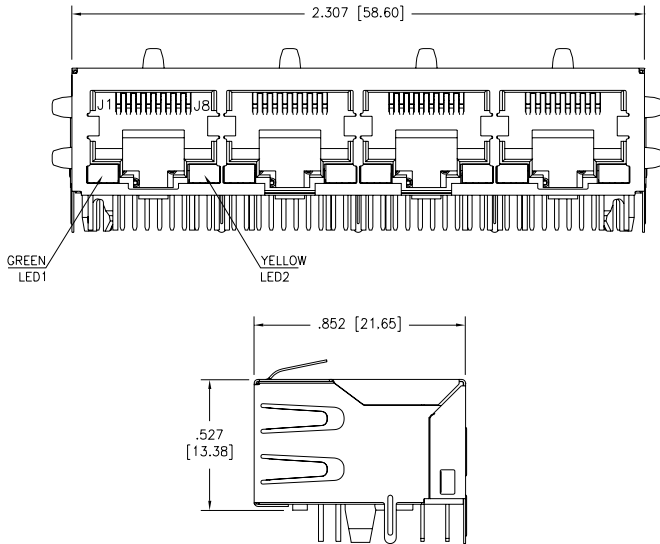
RJ45, 8P8C, 1000 Base-T, 4 Port Ganged & Stacked, Right Angle, Tab Up & Down, Full Shield, Through Hole, Integral Magnetics, Green-Orange LED's, High Temp



Click product box to view product datasheet at adam-tech.com

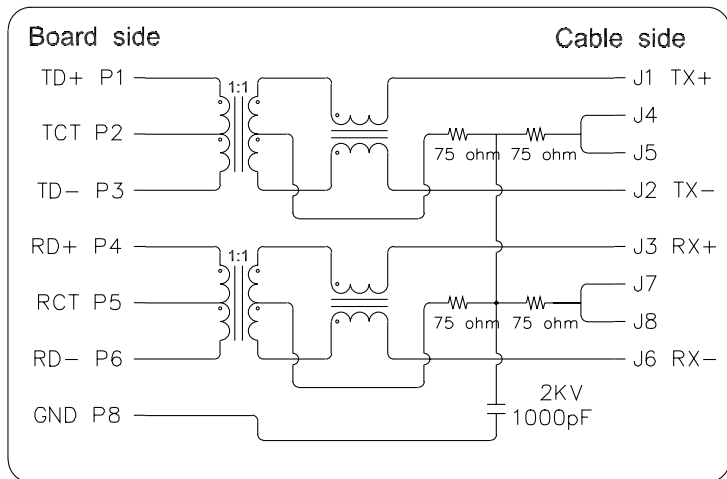
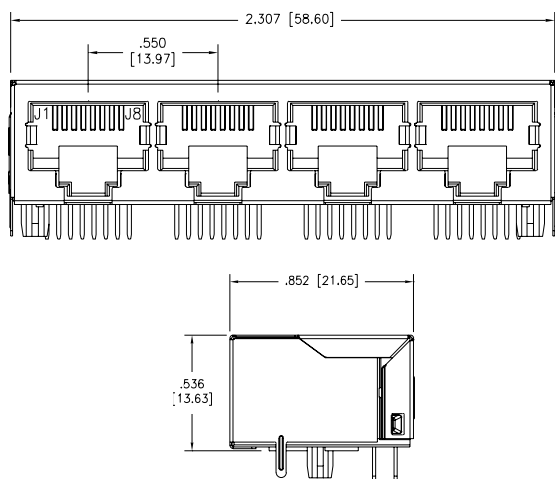
MTJG-4-88TX1-FSD-PG-LH-M21Y-HT

RJ45, 8P8C, 1G Base-T, 4 Port Ganged, Right Angle, Tab Down, Full Shield, Panel Grounds, Through Hole, Integral Magnetics, Green-Yellow LED's, High Temp



MTJG-4-88TX1-FSG-M5Y-HT

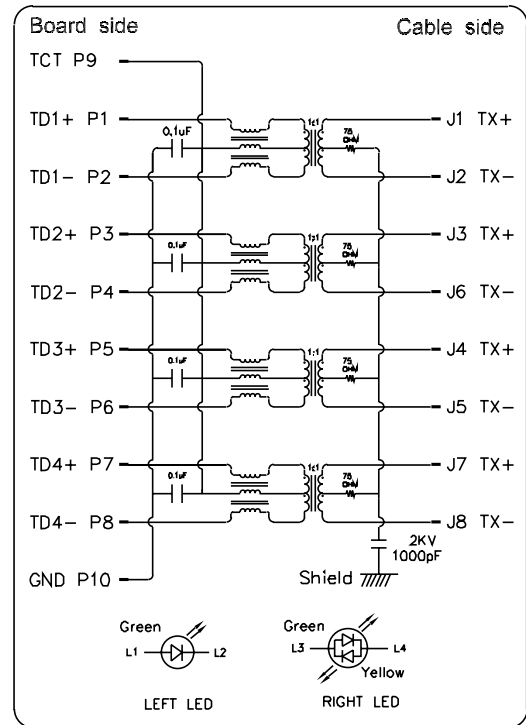
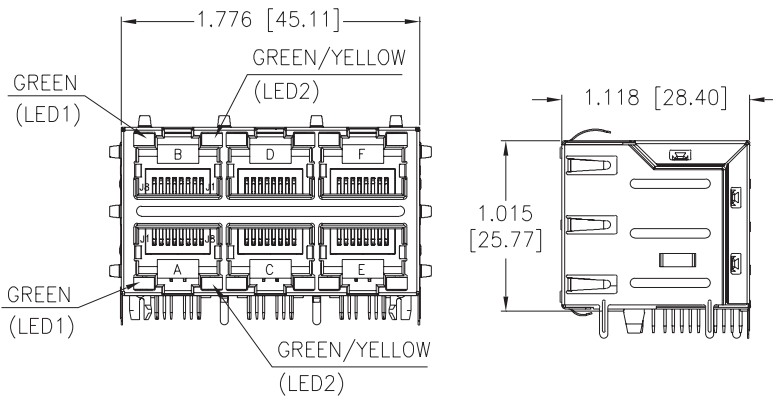
RJ45, 8P8C, 10/100 Base-T, 4 Port Ganged, Right Angle, Tab Down, Full Shield, Through Hole, Integral Magnetics, High Temp



Click product box to view product datasheet at adam-tech.com

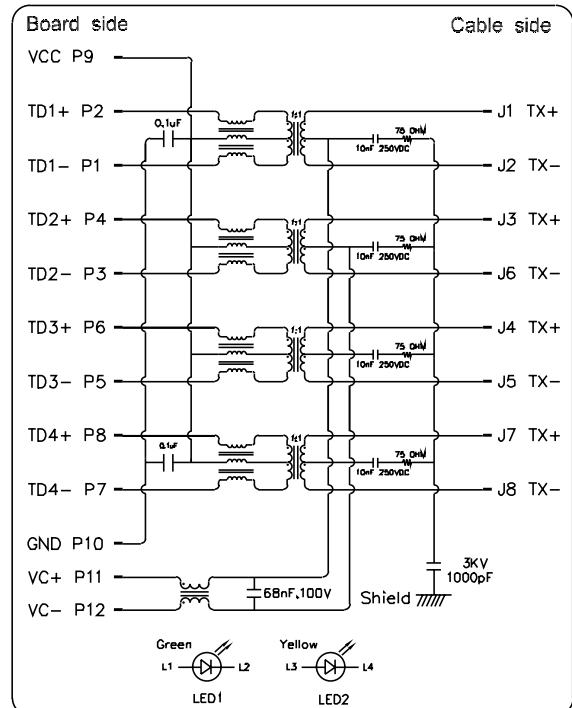
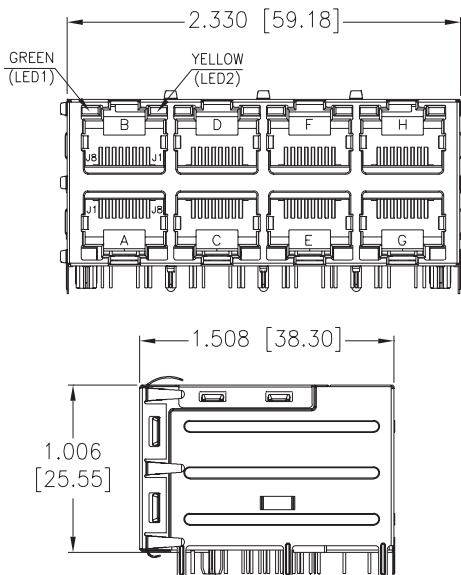
MTJG-6-88JX1-FSG-PG-L35-M150Y-WOT

RJ45, 8P8C, 1000 Base-T, 6 Port Ganged & Stacked, Right Angle, Tab Up & Down, Full Shield, Panel Grounds, Through Hole, Integral Magnetics, Green-Green/Yellow LED's, Wide Operating Temperature



MTJG-8-88JX1-FS-PG-LH-M295YA-HT-WOT

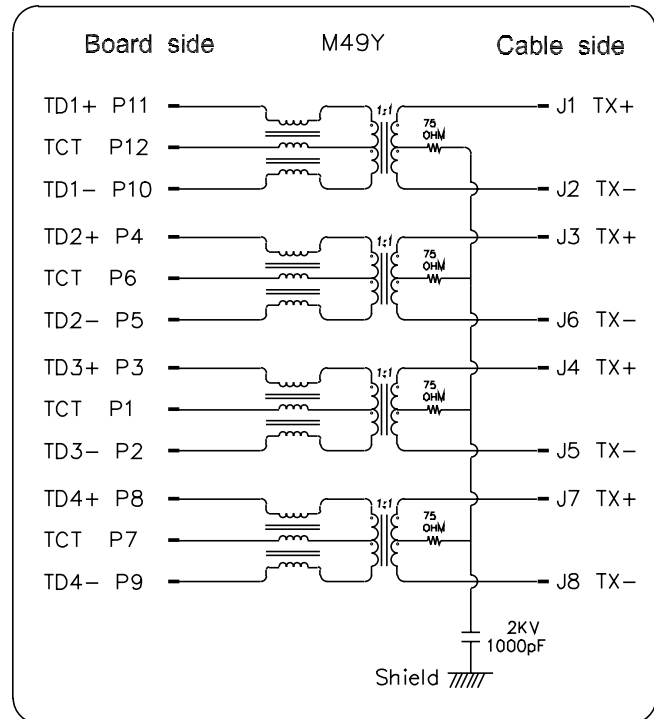
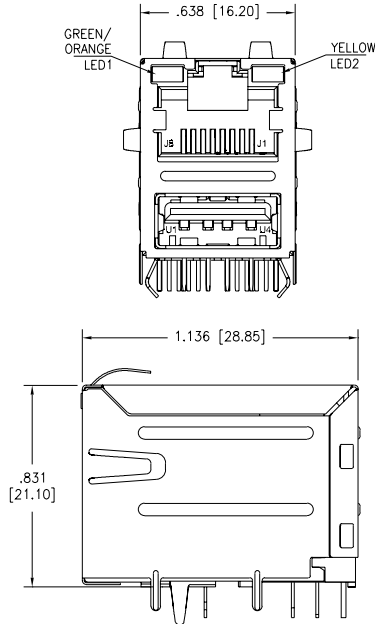
RJ45, 8P8C, 1000 Base-T, 8 Port Ganged & Stacked, Right Angle, Tab Up & Down, Full Shield, Panel Grounds, Through Hole, Integral Magnetics, Green-Yellow LED's, High Temp, Wide Operating Temperature



Click product box to view product datasheet at adam-tech.com

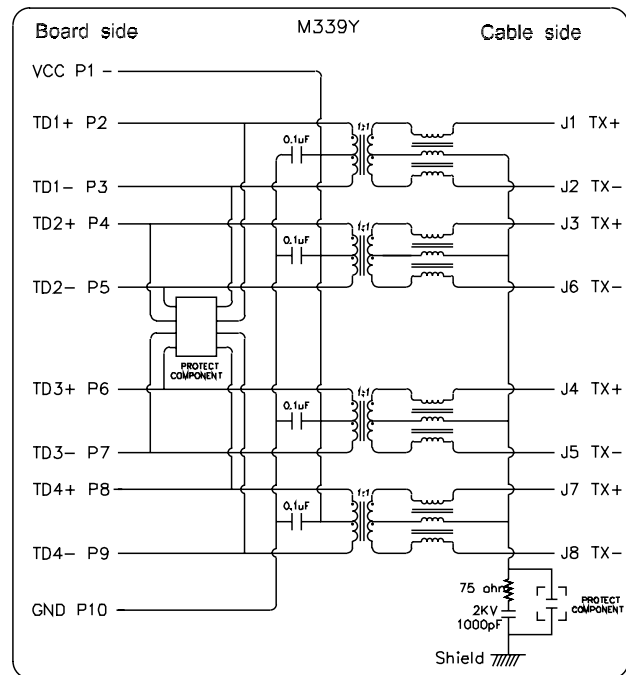
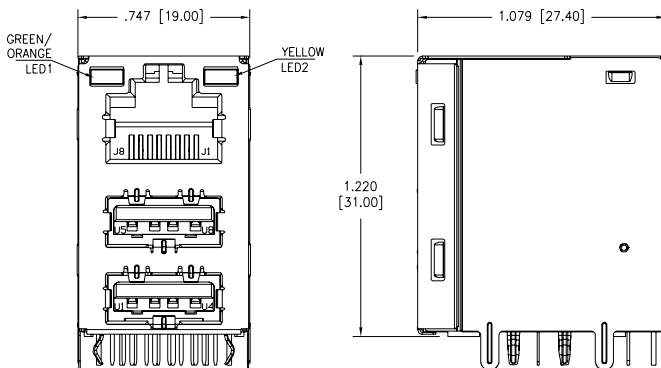
MTJ-USB-88JX1-FS-PG-L29-M49Y

RJ45 8P8C Over USB 2.0, 10/100 Base-T POE, Right Angle, Tab Up, Full Shield, Panel Grounds, Through Hole, Integral Magnetics, Green/Orange-Yellow LED's



MTJ-DUSB-88JX1-FS-L29-M339Y

RJ45 8P8C Over Dual USB 2.0, 1G Base-T w/ protect component, Right Angle, Tab Up, Full Shield, Through Hole, Integral Magnetics, Green/Orange-Yellow LED's



Click product box to view product datasheet at adam-tech.com

ADAM TECH

ADAM TECH USA (WORLDWIDE HQ)

909 Rahway Ave.
Union, NJ 07083
U.S.A.
Tel: 908-687-5000
Fax: 908-687-5710
Email: info@adam-tech.com

ADAM TECH EUROPE

Marcel Schwob
Karlsruhe, Germany
Email: info@adam-tech.com

ADAM TECH SOUTH AMERICA

Cesar Nakajune
Sao Paulo, Brazil
Email: info@adam-tech.com

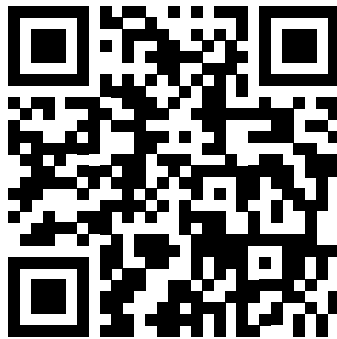
ADAM TECH TAIWAN

9F-3, No. 10, Lane 609, Sec. 5, Chongxin Rd.
Sancong Dist., New Taipei City 241
Taiwan (R.O.C.)
Tel: 886-2 2999 8028
Fax: 886-2 2999 8062
Email: info@adam-tech.com

ADAM TECH CHINA

Yingfeng 1st Road, Dajingtou Community
Dalang Town, Dongguan City
Guangdong Province
China (P.R.C.)
Tel: 886-2 2999 8028
Fax: 886-2 2999 8062
Email: info@adam-tech.com

To contact us, scan the QR
code to reach our website
inquiry form.



adam-tech.com