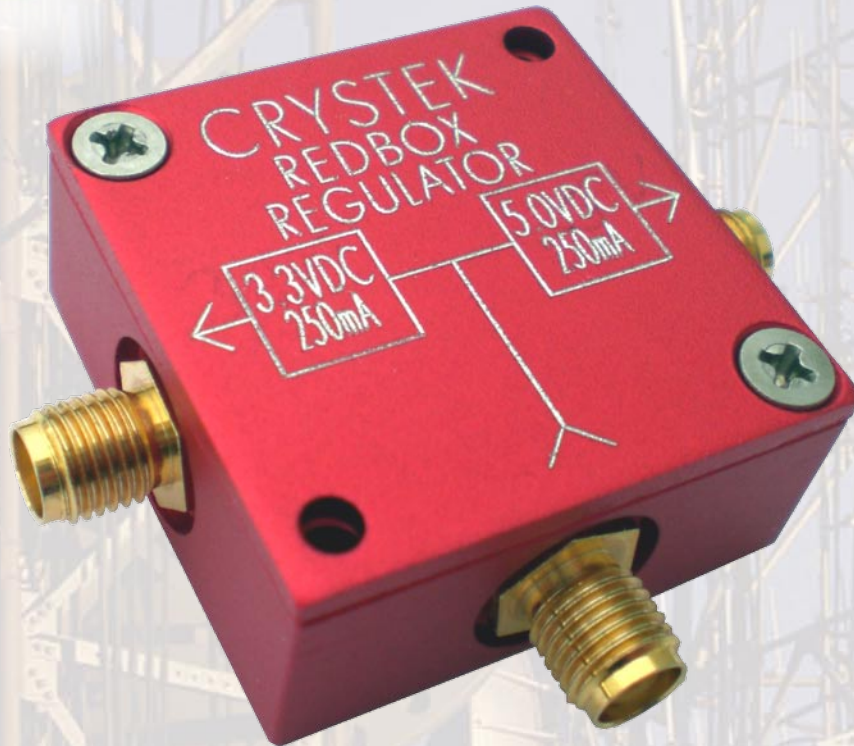




CRYSTEK
CRYSTALS
A DIVISION OF CRYSTEK CORPORATION

RedBox

REGULATOR



Crystek's new **RedBox** Series Regulators offer DC Voltage Regulation integrated in a rugged Connectorized SMA housing. Simply connect the +6Vdc wall adapter to the input using the adapter cable and it will provide a clean dual regulated 250mA DC output at the specified voltage. Available off the shelf in +1.8 / +2.5 Vdc and +3.3 / +5.0 Vdc. Customers may also specify output voltage combinations. Perfect for Lab use when a dual DC output power supply is required.

The **RedBox** Regulator is also offered in a kit that includes all items required to provide a DC power supply solution.



CRYSTEK
CORPORATION

12730 COMMONWEALTH DRIVE • FORT MYERS, FL 33913

PHONE: 239-561-3311 • 800-237-3061 Rev.: A
FAX: 239-561-1025 • WWW.CRYSTEK.COM Date: 12-21-07



CRYSTEK
CRYSTALS
A DIVISION OF CRYSTEK CORPORATION

RedBox REGULATOR

Part Number	Description
CRBR-1.8-2.5V-KIT	+1.8Vdc & +2.5Vdc RedBox Regulator, Adapter Cable, Wall Adapter, SMA to Alligator Clips
CRBR-3.3-5.0V-KIT	+3.3Vdc & +5.0Vdc RedBox Regulator, Adapter Cable, Wall Adapter, SMA to Alligator Clips
CRBR-1.8-2.5V	+1.8Vdc & +2.5Vdc Connectorized Regulator
CRBR-3.3-5.0V	+3.3Vdc & +5.0Vdc Connectorized Regulator
CCADP-MM-6	RG174 Cable, SMA/2.1mm Male/Male
CCSMACL-MC-24	24" RG174 Cable, SMA to Alligator Clips
CTRAN-600	+6Vdc (0.6A) Wall Adapter

PRO POWER SPEC:

Operating Temp.

-40°C to 85°C

Storage:

-45°C to 90°C

Input Voltage:

(CRBR-1.8-2.5V)
(CRBR-3.3-5.0V)

**+3.0Vdc Min., +6Vdc Max.
+5.5Vdc Min., +6Vdc Max.**

Output Voltage:

Per PN Selection

Output Current per side:

250 mA Max

Output Voltage Tolerance:

+/- 1% Max

Caution: Care must be taken when using unspecified wall adapters as unloaded voltage may exceed specified input voltage resulting in regulator damage.

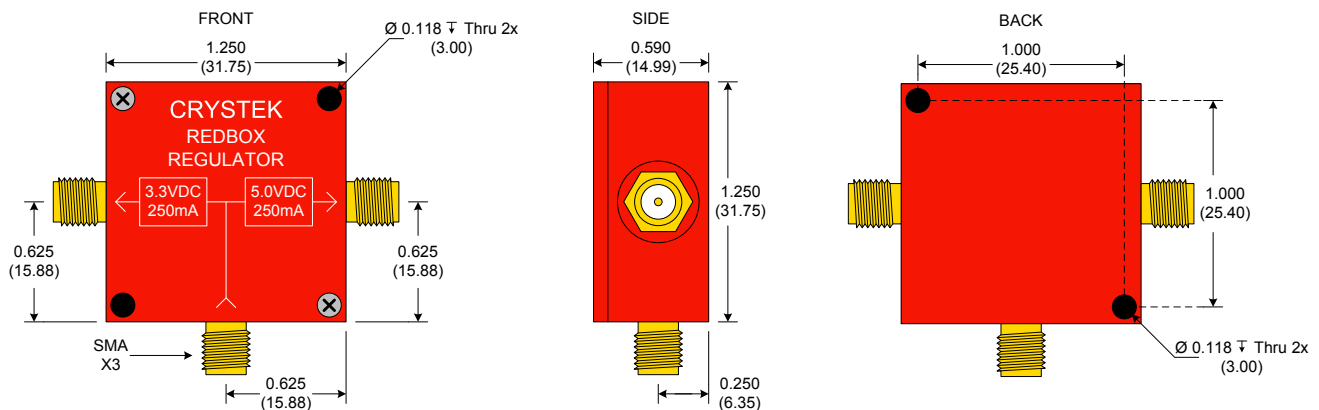
Adapter Cable P/N CCADP-MM-6
Supplied with Kit.



Adapter Cable P/N CCSMACL-MC-24
Supplied with Kit.



+6Vdc Wall Adapter P/N CTRAN-600
Supplied with Kit.



CRYSTEK
CORPORATION

12730 COMMONWEALTH DRIVE • FORT MYERS, FL 33913

PHONE: 239-561-3311 • 800-237-3061

FAX: 239-561-1025 • WWW.CRYSTEK.COM

Rev.: A
Date: 12-21-07